

Doc.ID 11.22454.XXX-101-02-A Doc. status 230 | released  
 View date 2016-11-15 Viewed by BENDER  
 Art.ID 11.22454.264-00/00A SAP Status 2F

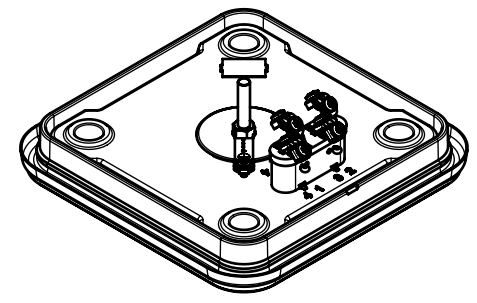
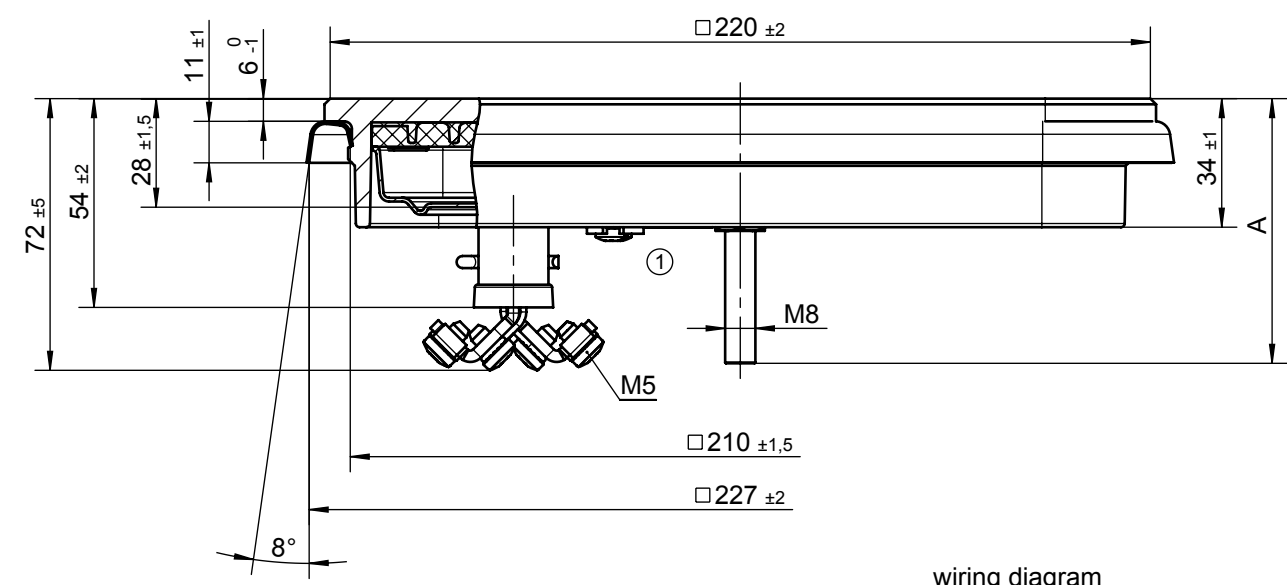
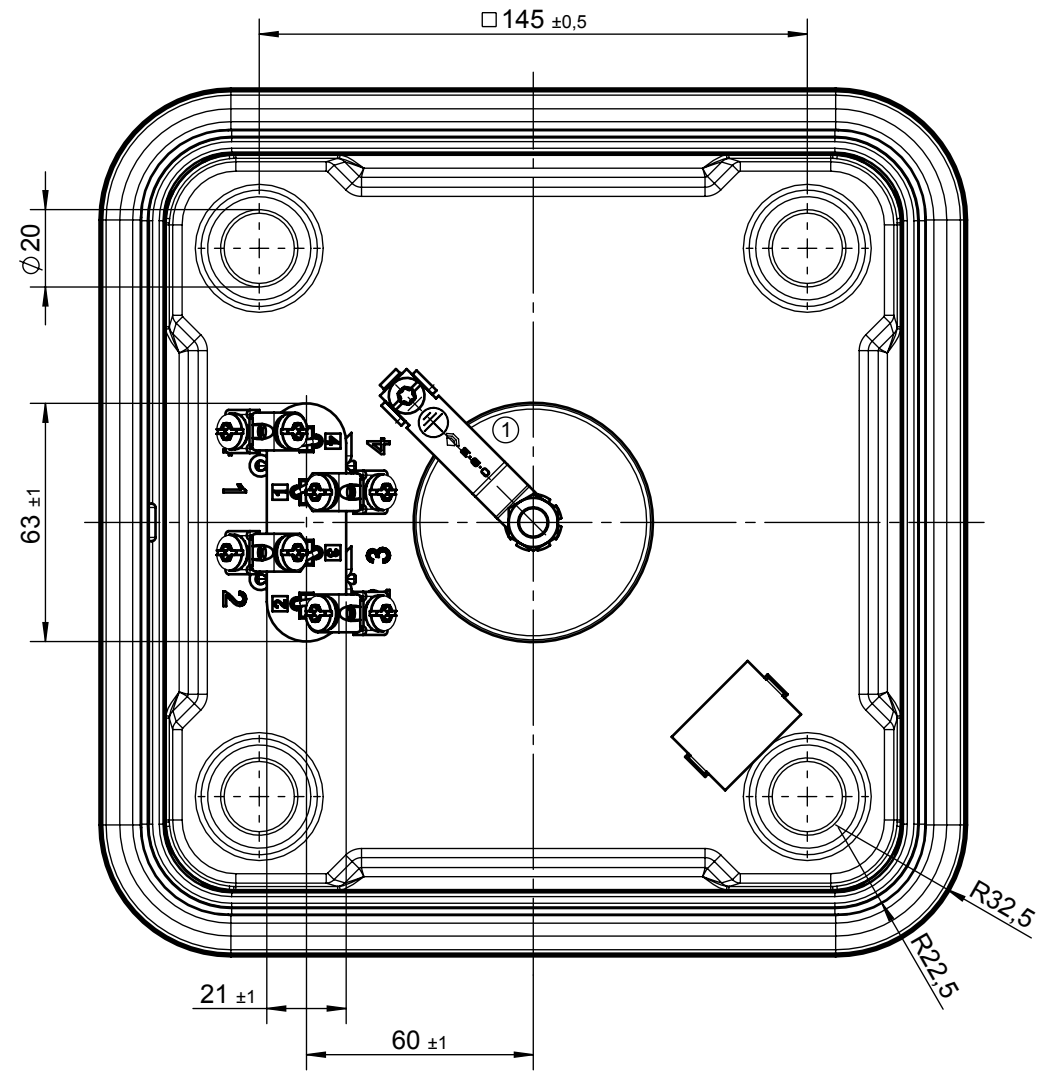
11.22454.233  
 2600W 240V  
 12 108

voltage marking  
 230 V without  
 240 V blue  
 400 V red  
 other green

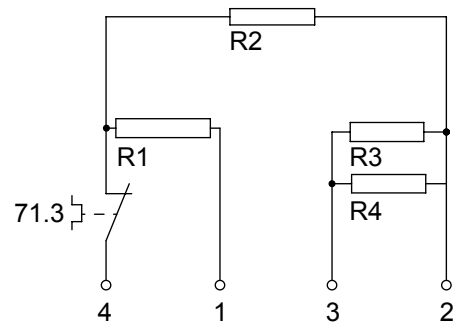
connection  
 4 straps with clamp  
 bracket and screws M5

earthing  
 with connecting lug  
 clamp bracket and  
 screw M5

mounting  
 The hotplate is to  
 support on the 4  
 supporting disks



wiring diagram



Pos	Type	Wattage	Voltage	R1	R2	R3	R4	6	5	4	3	2	1	Appro.	"A" in mm
9	11.22454.268	2000	400	500	500	500	500	2000	1500	1000	500	300	200	X	70±5
8	11.22454.266	2600	480	800	600	600	600	2600	1800	1200	600	400	265		70±5
7	11.22454.265	2600	415	800	600	600	600	2600	1800	1200	600	400	265	X	70±5
6	11.22454.264	2600	440	800	600	600	600	2600	1800	1200	600	400	265	X	70±5
5	11.22454.238	2600	400	800	600	600	600	2600	1800	1200	600	400	265	X	70±5
4	11.22454.237	2600	230	800	600	600	600	2600	1800	1200	600	400	265	X	70±5
3	11.22454.236	2600	200	800	600	600	600	2600	1800	1200	600	400	265	X	70±5
2	11.22454.234	2000	230	500	500	500	500	2000	1500	1000	500	300	200	X	70±5
1	11.22454.233	2600	240	800	600	600	600	2600	1800	1200	600	400	265	X	70±5

This document is exclusively committed to you for the agreed purpose. Any kind of duplication, utilization or communication of its content is prohibited, if not expressly conceded otherwise. Violators are committed to pay compensations. Any claims of existing or future property rights remain unaffected.		Blank No. EN Mat.No.		Scale Unit mm	
Material		Surface Texture ISO 1302		Scale 1:2	
General Tolerances		Designation		EGO Com. Hotplate 220x220	
2	A01566	2013-07-29	CAD	Date	Name
1	A01449	2012-08-03	Creat.	2012-04-17	MAURERR
Cha.	Information No.	Date	Proc.	2013-07-23	MAKUCJ
F.Rel.	A01371	2012-05-21	Rel.	2013-07-29	LAPANJAA
Drawing No. 11.22454.XXX			Sh.No. 101	Ver. 2	Stat. F
Origin		Repl.for 11.22454.Div		Repl.by	
Ref.					

