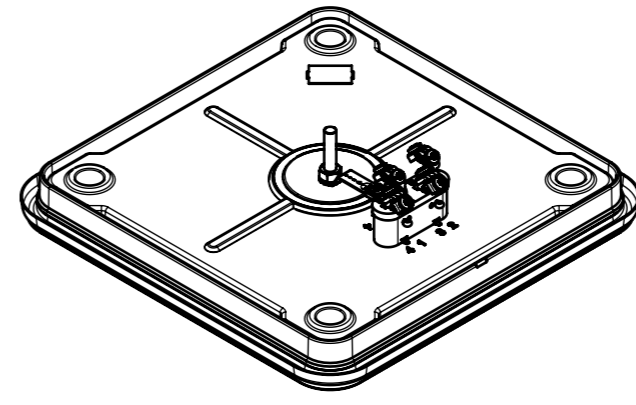
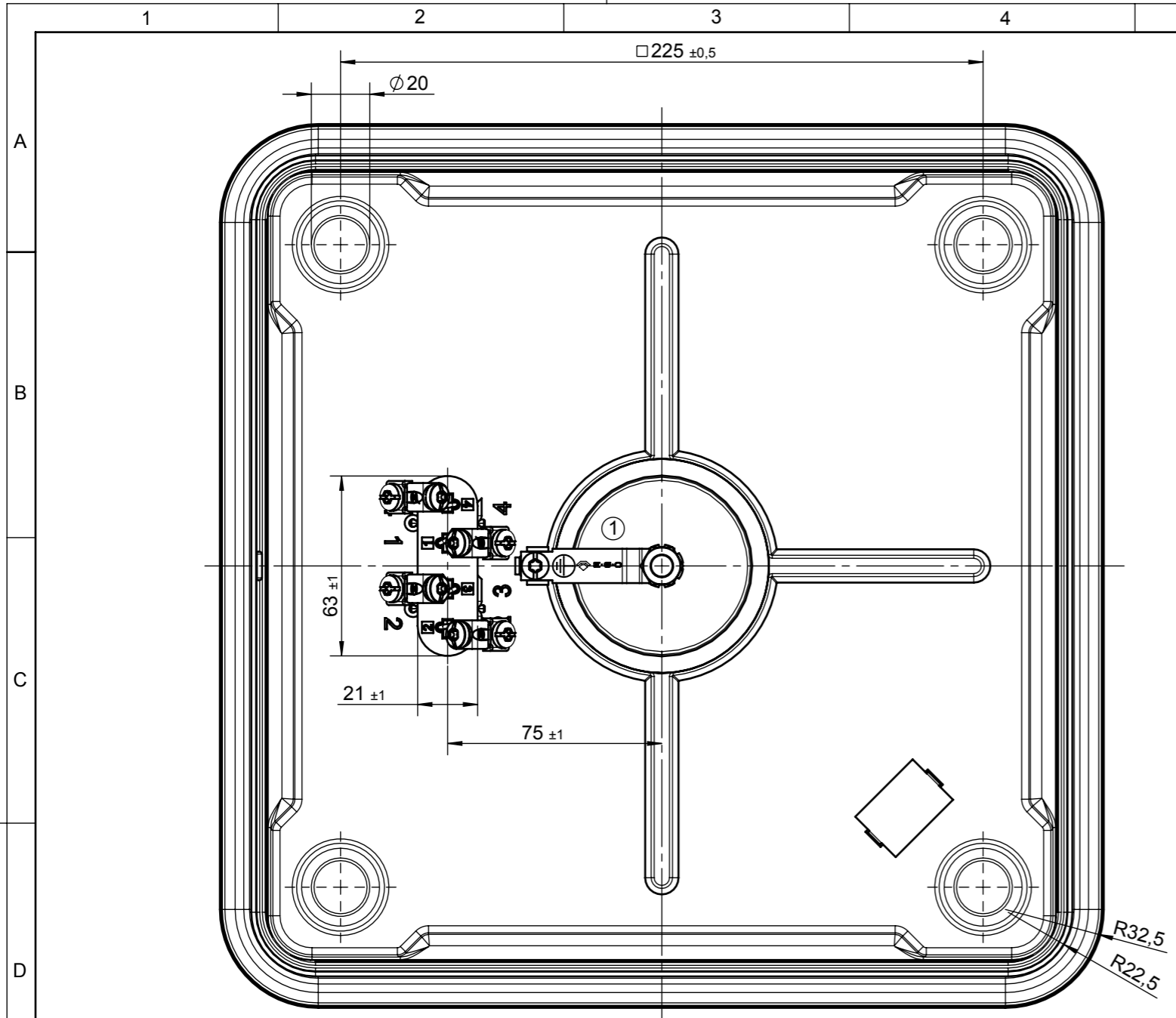


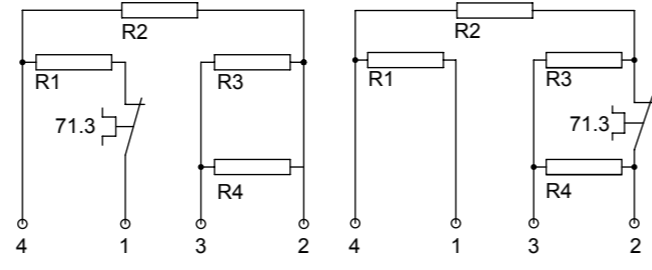
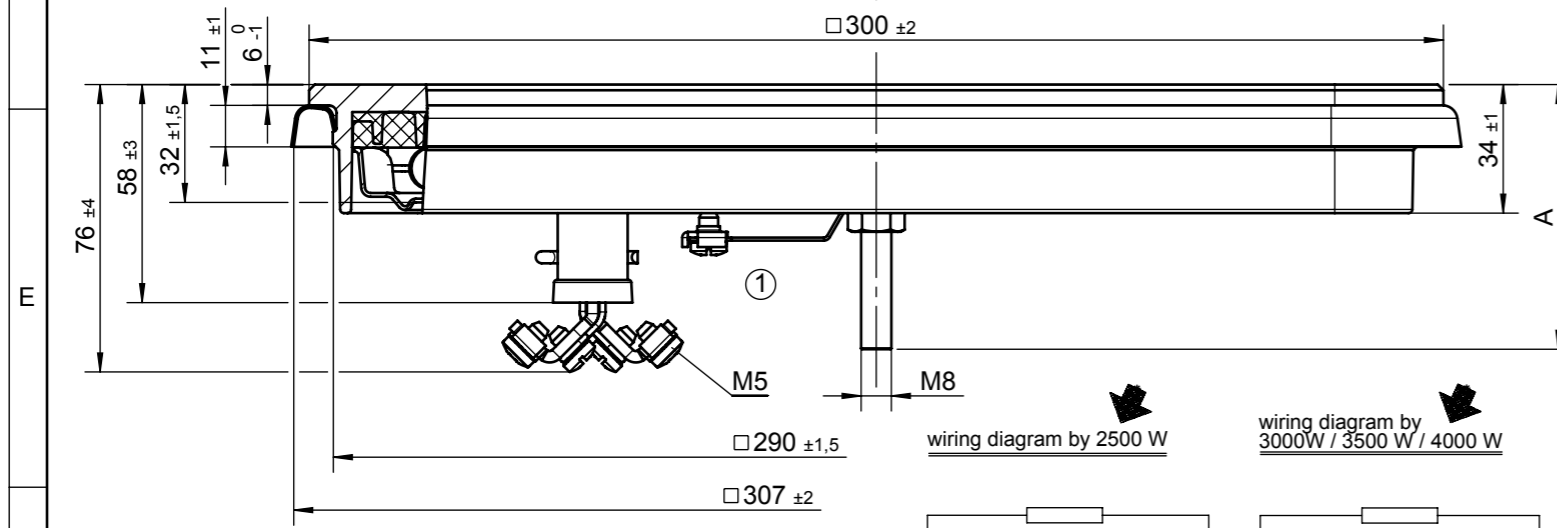
Doc.ID 11.33454.XXX-101-01-A Doc. status 261 | old version
 View date 2016-11-15 Viewed by BENDER
 Art.ID 11.33454.335-00/00A SAP Status 2F



At higher temperature
 the protector switches
 back to the rest wattages.
 Rest wattage by:
 2500 W = 1875 W
 3000 W = 1750 W
 3500 W = 2000 W
 4000 W = 2000 W

11.33454.236
 3000W 240V~
 12 165

voltage marking
 230 V without
 240 V blue
 400 V red
 other green
connection
 4 straps with clamp
 bracket and screws M5
earthing
 with connecting lug
 clamp bracket and
 screw M5
mounting
 The hotplate is to
 support on the 4
 supporting disks



Pos	Type	Wattage	Voltage	R1	R2	R3	R4	6	5	4	3	2	1	Appro.	"A" in mm
21	11.33454.338	4000	415	1500	1000	1000	500	4000	2500	1500	1000	600	430	X	70±3
20	11.33454.337	3000	415	750	750	500	1000	3000	2250	1500	750	500	300	X	70±3
19	11.33454.336	4000	440	1500	1000	1000	500	4000	2500	1500	1000	600	430	X	70±3
18	11.33454.335	3000	440	750	750	500	1000	3000	2250	1500	750	500	300	X	70±3
17	11.33454.334	2500	440	625	625	625	625	2500	1875	1250	625	420	250	X	70±3
16	11.33454.333	3000	480	750	750	500	1000	3000	2250	1500	750	500	300		70±3
15	11.33454.274	4000	208	1500	1000	1000	500	4000	2500	1500	1000	600	430	X	70±3
14	11.33454.265	4000	440	1333	1333	667	667	4000	2667	1333	1333	645	430	X	70±3
13	11.33454.262	4000	230	1333	1333	667	667	4000	2667	1333	1333	645	430	X	70±3
12	11.33454.252	2500	230	625	625	625	625	2500	1875	1250	625	420	250	X	70±3
11	11.33454.251	2500	400	625	625	625	625	2500	1875	1250	625	420	250	X	70±3
10	11.33454.249	4000	400	1500	1000	1000	500	4000	2500	1500	1000	600	430	X	70±3
9	11.33454.248	3000	400	750	750	500	1000	3000	2250	1500	750	500	300	X	70±3
8	11.33454.247	3000	230	750	750	500	1000	3000	2250	1500	750	500	300	X	70±3
7	11.33454.246	4000	230	1500	1000	1000	500	4000	2500	1500	1000	600	430	X	70±3
6	11.33454.245	2500	415	625	625	625	625	2500	1875	1250	625	420	250	X	70±3
5	11.33454.244	4000	200	1500	1000	1000	500	4000	2500	1500	1000	600	430	X	70±3
4	11.33454.242	3500	230	1000	1000	500	1000	3500	2500	1500	1000	600	380	X	70±3
3	11.33454.241	3500	400	1000	1000	500	1000	3500	2500	1500	1000	600	380	X	70±3
2	11.33454.239	4000	240	1500	1000	1000	500	4000	2500	1500	1000	600	430	X	70±3
1	11.33454.236	3000	240	750	750	500	1000	3000	2250	1500	750	500	300	X	70±3

W		V		Rated conductor				Switch positions							"A" in mm					
Material		EN Mat.No.		Scale Unit mm				Scale 1:2							Appro.					
Surface Texture ISO 1302		General Tolerances		Designation				EGO Com. Hotplate 300x300					Drawing No. 11.33454.XXX		Sh.No.	Ver.	Stat.	Sheets	Doc.	Ex.Doc.
CAD		Date		Name				1 A01449 2012-08-03 Creat. 2011-12-12 MAURERR Cha. Information No. Date Proc. 2012-08-02 MAURERR F.Rel. A01402 2012-07-16 Rel. 2012-08-03 KRUEGERG					Drawing No. 11.33454.XXX		Sh.No.	Ver.	Stat.	Sheets	Doc.	Ex.Doc.
Origin		Repl.for 11.33454. Div.		Repl.by				Ref.												

